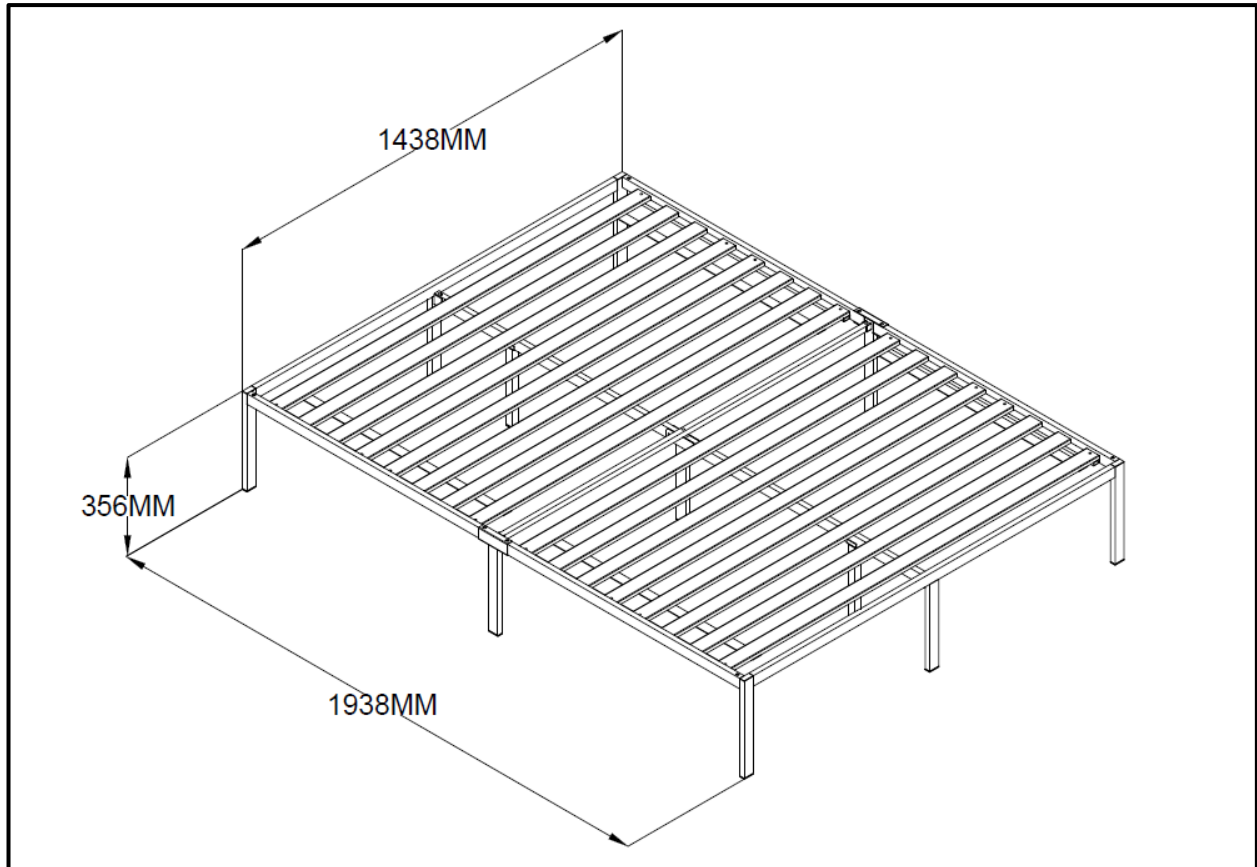


ASSEMBLY INSTRUCTION
DICKSON DOUBLE BED
85146

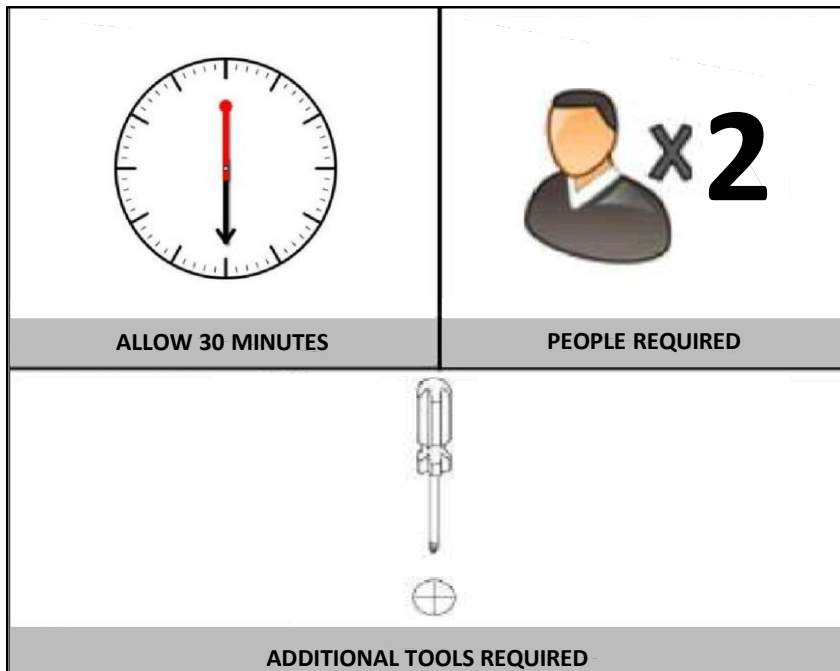


Imported by JWA Furniture Pty Ltd, Qld, Brisbane Australia.
For any assistance with assembly or for missing parts please refer to your receipt

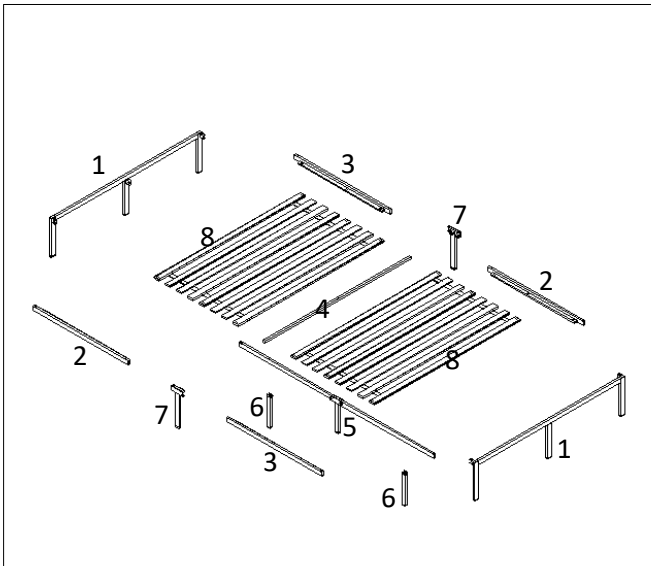
PRE-ASSEMBLY PREPARATION

Before you start:





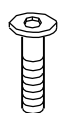

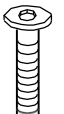
1. Choose a clean, level, spacious assembly area. Avoid hard surfaces that may damage the product
2. Take care when lifting. Product should be assembled as near as possible to the point of use
3. Ensure that you have all required contents for complete assembly
4. Always read the assembly instructions carefully before beginning assembly.
5. Keep all hardware parts and packaging out of reach of small children.
6. Do not over tighten the screws and bolts as this may damage the threads



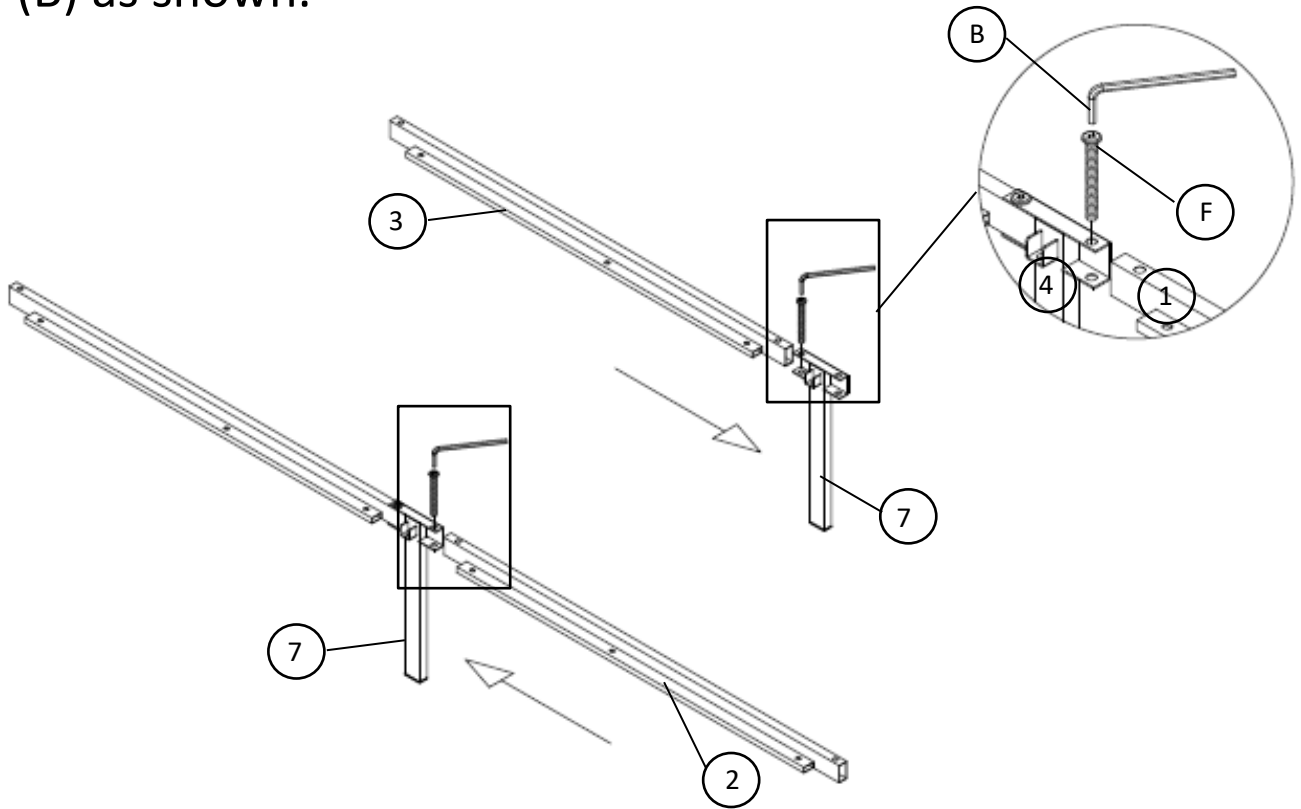
PARTS LIST



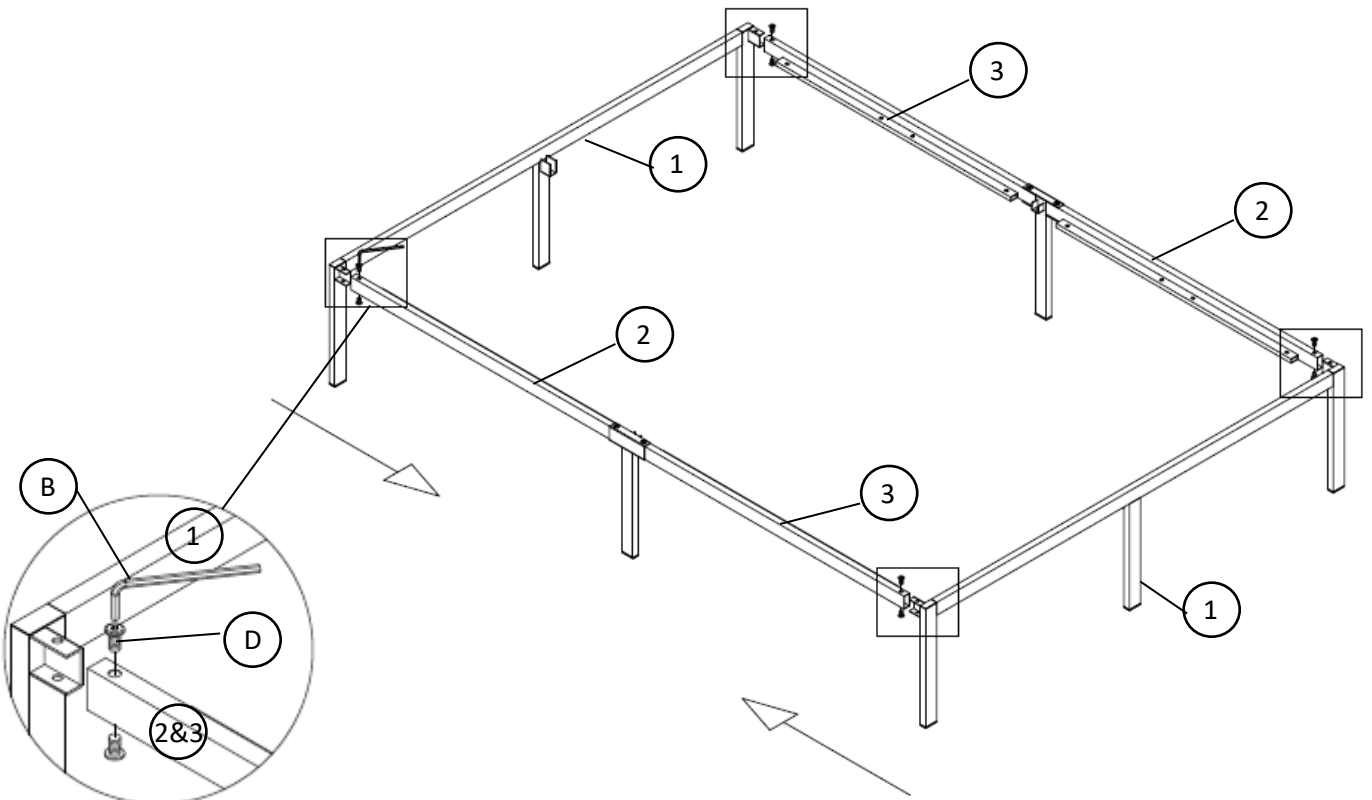
1	HEADBOARD FOOTBOARD
2	SIDE RAIL (LEFT)
3	SIDE RAIL (RIGHT)
4	CENTER SUPPORT
5	CENTER RAIL
6	CENTER LEG
7	SUPPORT LEG
8	SLATS

<p>A Allen Key M4</p>  <p>1xA</p>	<p>B Allen Key M5</p>  <p>1xB</p>	<p>C JCBC M6 x 25mm</p>  <p>16xC</p>
<p>D JCBB M8 x 12mm</p>  <p>8xD</p>	<p>E JCBB M8 x 30mm</p>  <p>2xE</p>	<p>F JCBB M8 x 50mm</p>  <p>8xF</p>
<p>G JCBB M8 x 60mm</p>  <p>1xG</p>		

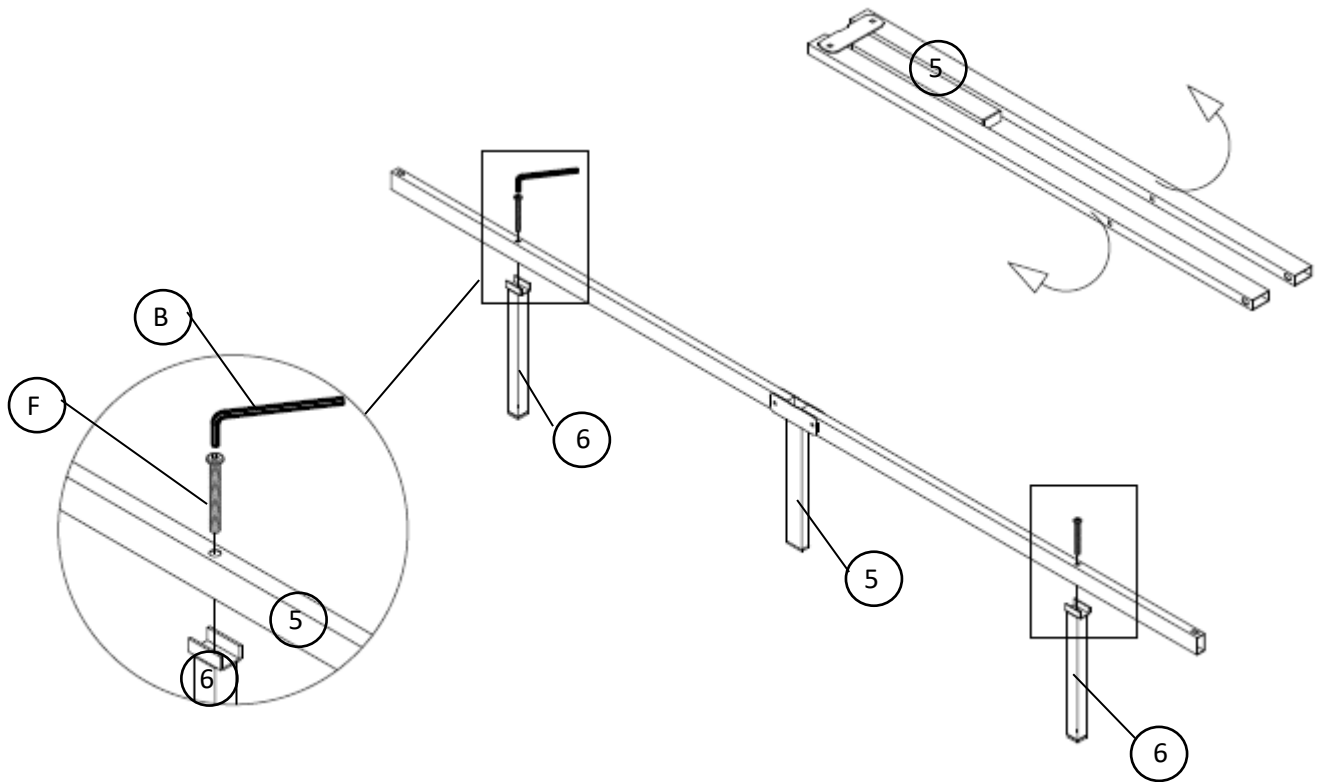
STEP 1 : Attach the (3) and (2) to (7) by using (F) with Allen Key M5 (B) as shown.



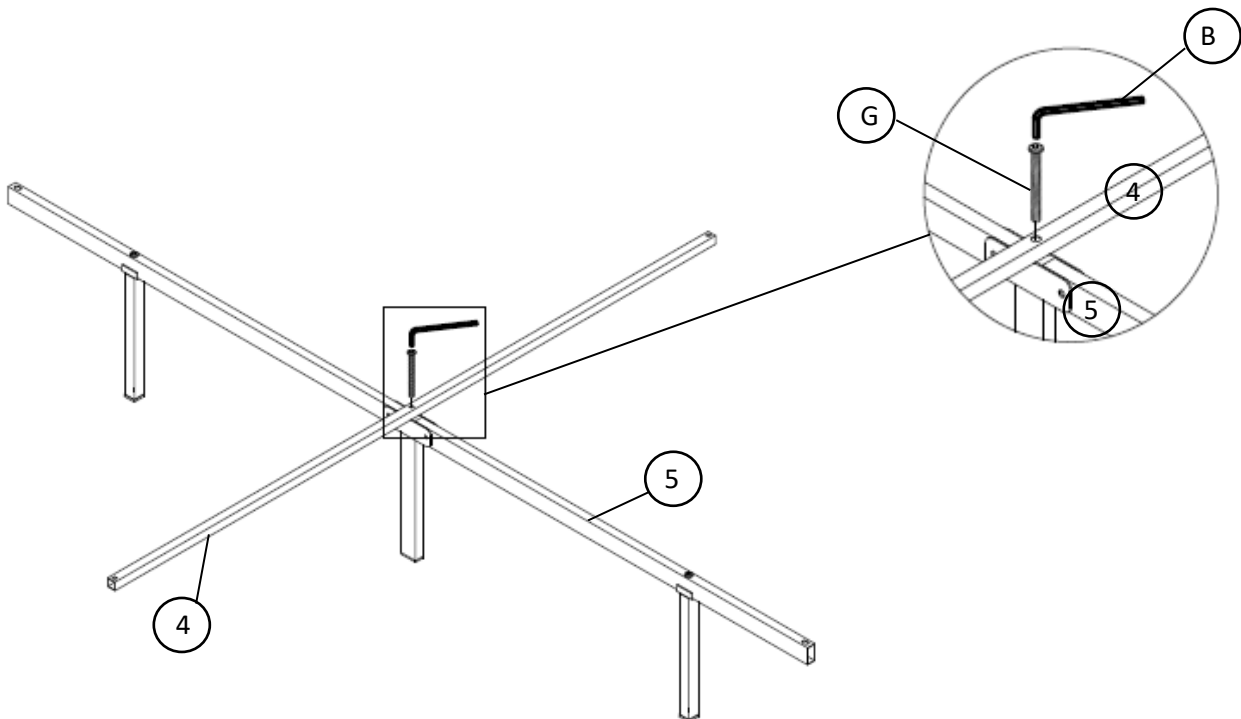
STEP 2 : Attach (1) to (2) and (3) by using (D) with Allen Key M5 (B) as shown.



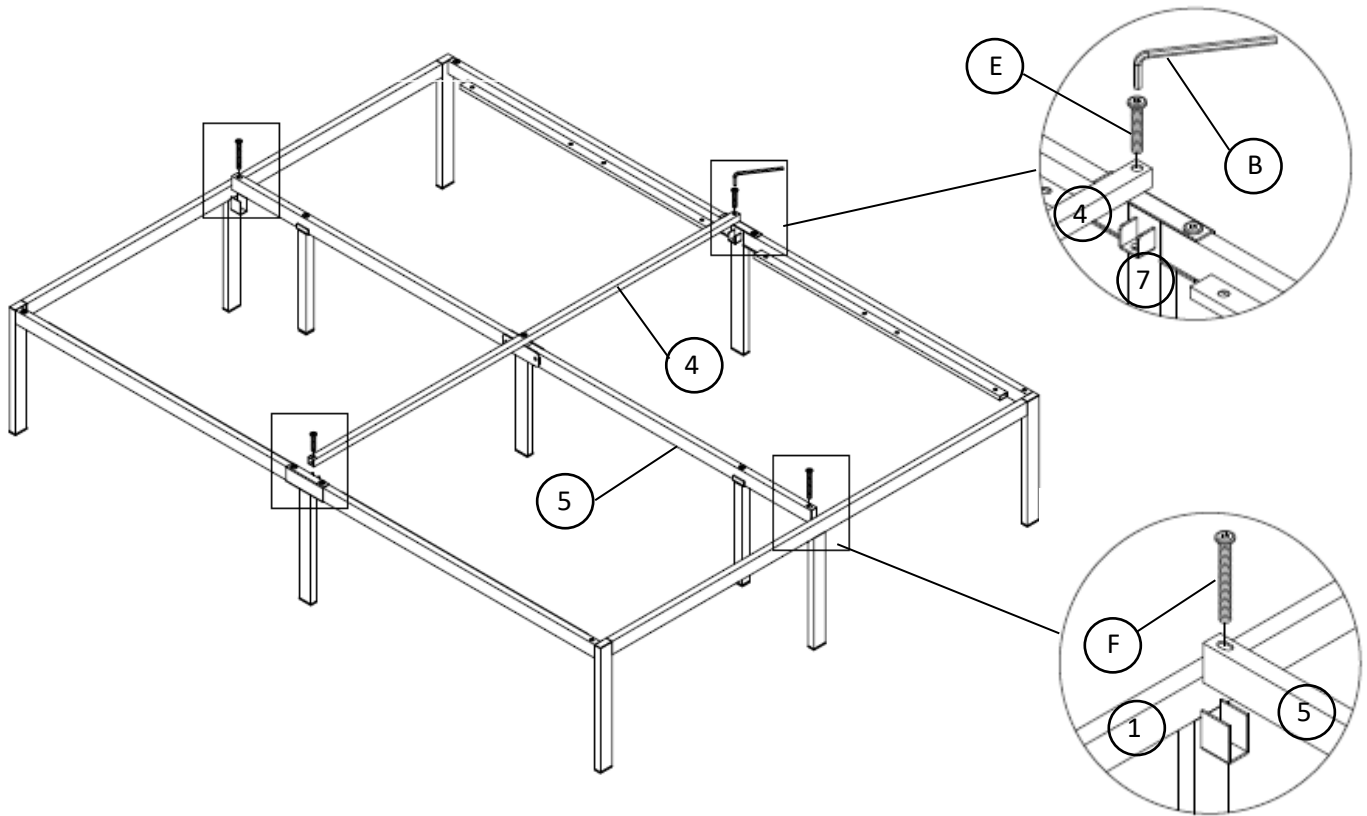
STEP 3 : Unfold (5). Then attach (5) to (6) by using (F) with Allen Key M5 (B) as shown.



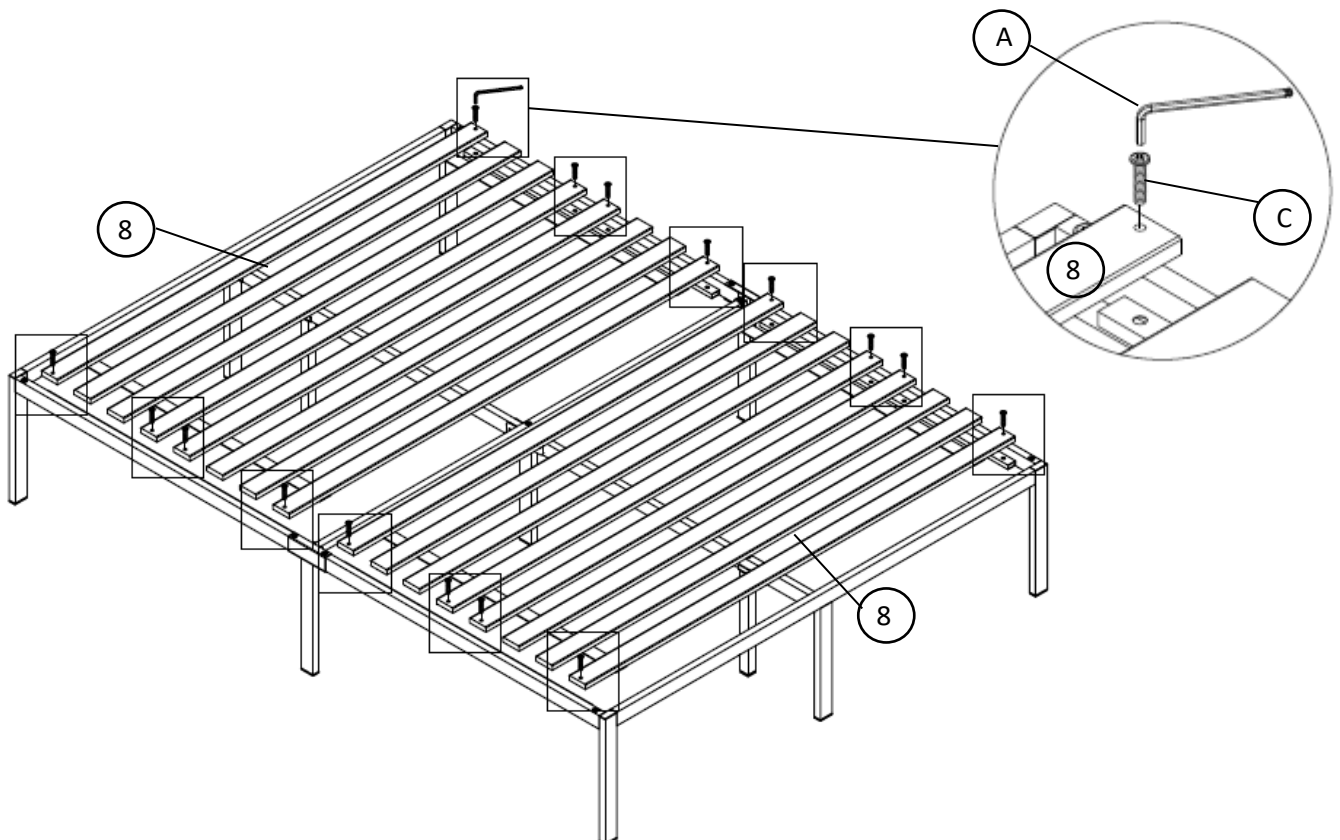
STEP 4 : Attach (4) to (5) with (G) Using an Allen Key M5 (B) as shown.



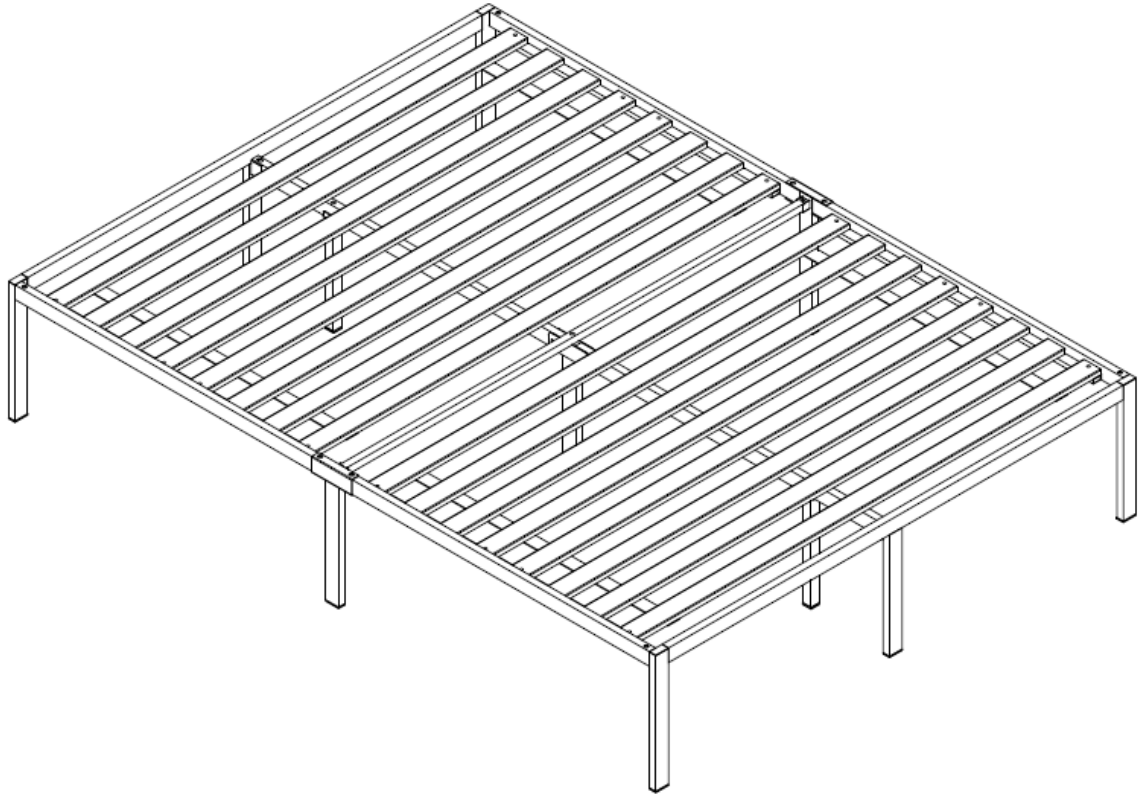
STEP 5 : Attach Assembled Bed Slats to Assembled Bed Frame with (E) and (F) using an Allen Key M5 (B) as shown.



STEP 6 : Attach (8) to Assembled Bed Frame with (C) using an Allen Key M4 (A) as shown.



ASSEMBLY IS COMPLETE



CAUTION:

**ALWAYS LIFT YOUR BED WHEN MOVING/RELOCATING - DO NOT DRAG.
DRAGGING CAN CAUSE THE CENTRE SUPPORT LEGS TO BEND/BREAK**

PRODUCT CARE:

To protect your furniture, we suggest the following:

- Avoid placing your furniture in direct sunlight.
- Do not place furniture directly under windows.
- Do not place sharp materials (knife, fork, etc.) directly onto your furniture as sharp material may scrape and damage the finish.
- Do not place material with high temperature directly onto the surface of your furniture.
- Clean up spills quickly. Water left over a prolonged period of time may cause damage. Alcohol, perfume, nail polishes, aftershave and some medication may cause severe finish damage if not cleaned immediately.
- Use a clean, soft, dry, lint free absorbent cloth to clean your furniture. Do not use any detergent as they may contain ingredients that may react and damage the finish.